

# WB Cube Series 1:1 Ratio

ATS-PRO MODULAR INDOOR HD DIRECT VIEW LED WALLS

ATS  
PRO™

RECEPCJA

market

20222 ATS-PRO WB CUBE SERIES MODULAR INDOOR LED MADE FOR ATS-PRO BY

**Taylorleds**

ATS  
PRO™

2021 ATS-PRO WS SERIES MODULAR INDOOR LED

# Designed with Creative in mind

## The finest built Direct View LED Wall Systems

Taylorleds is an innovative, integrity minded joint-venture focused on providing State of the Art LED products. Absen owns 80% of Taylorleds and manufactures most of Taylorleds LED Display products while Design, R&D and QC are handled by Taylorleds. Absen is a public-listed Chinese LED Display manufacturer.

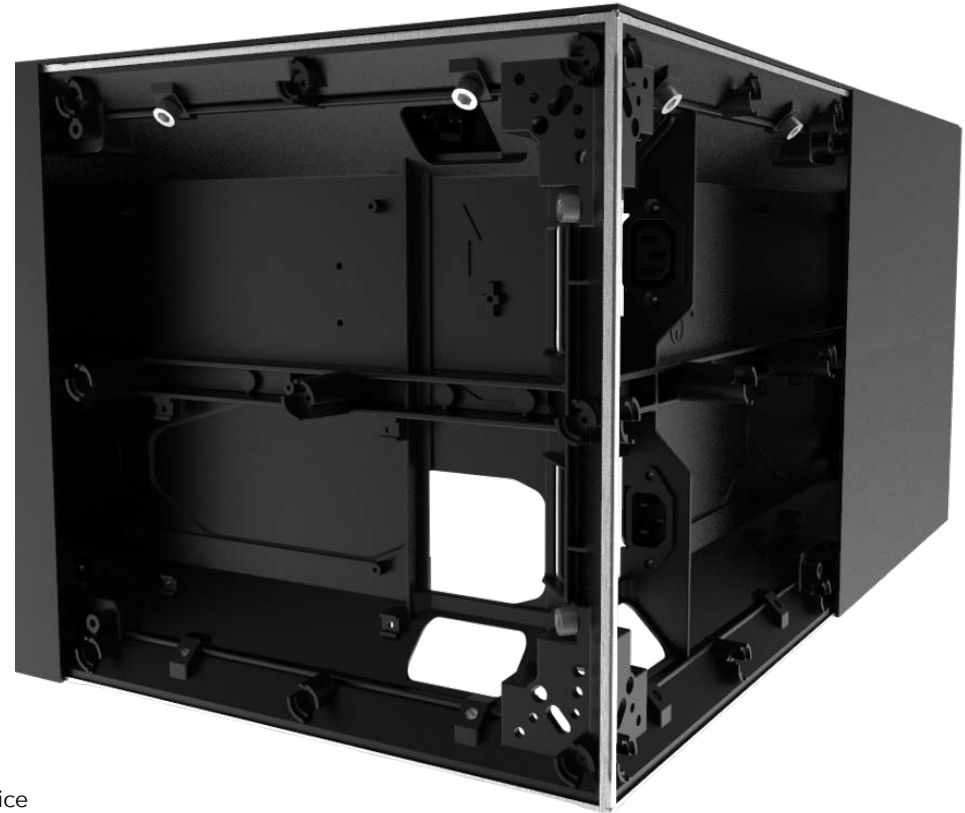
For more than 15 years the staff at ATS-Professional has designed and built some of the most iconic indoor LED systems throughout the world with Pixel ranges from .83mm to 4mm in all sorts of sizes and shapes.

ATS-Professional is a direct designer and importer of OEM LED Panel designs. Our LED products are manufactured for ATS by some of the largest LED factories in the world.

We choose OEM factories based on the requirements of the project and each factory's unique capabilities to provide the finest solution for our customers based on our Engineering Build Requirements and Design.

With decades of experience dealing in OEM manufacturing and our Un-matched internal Design and Engineering, ATS-Professional introduces our newest and most advanced line of indoor LED systems.

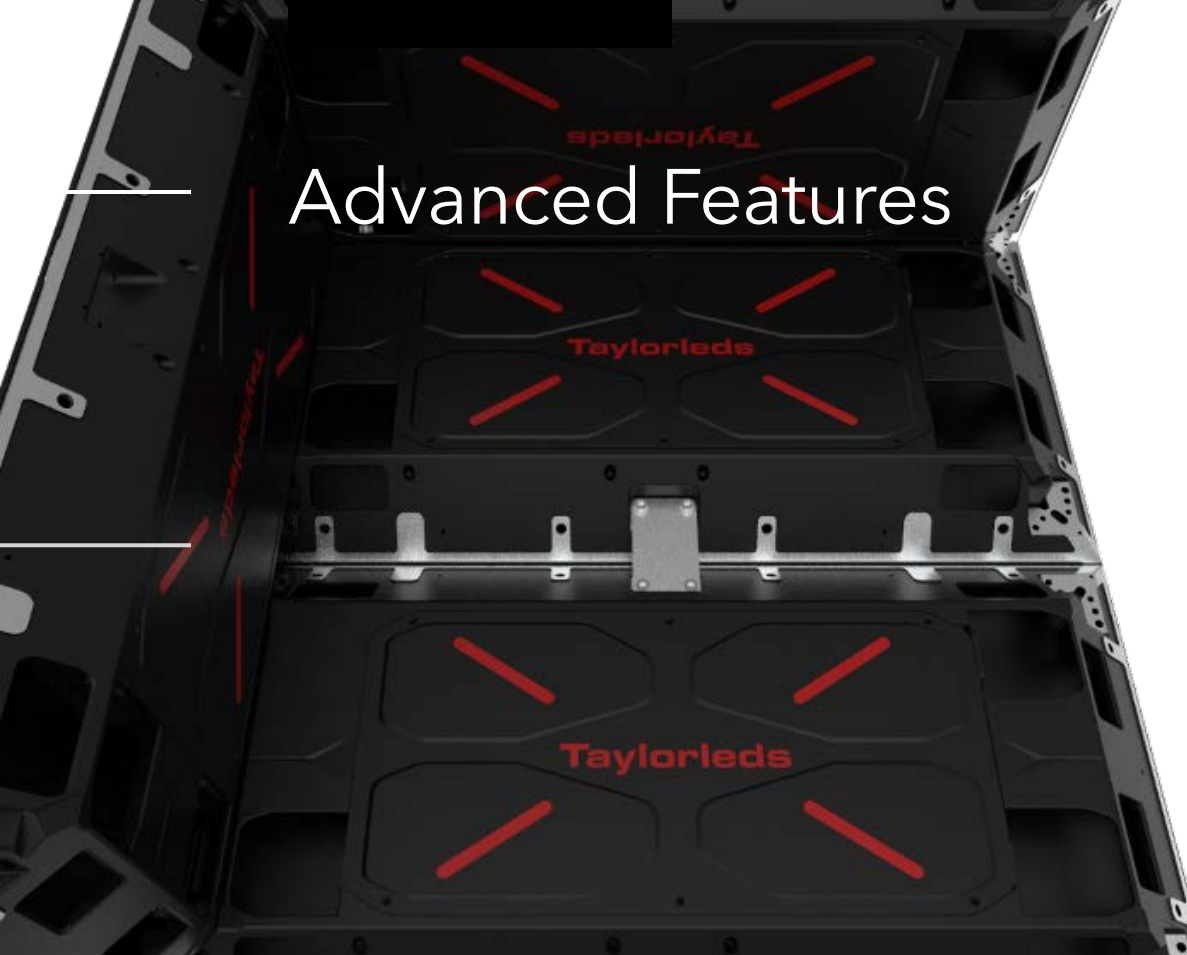
Every facet of the Design has been meticulously thought out. Mechanical Design, Visual Electronics, Installation, Reliability, Service and Support, Multiple Resolutions and Media Playback Systems to fit any budget.



2022 ATS-PRO WB CUBE SERIES MODULAR INDOOR LED MADE FOR ATS-PRO BY: **Taylorleds**



# Advanced Features



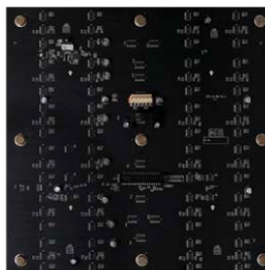
## Connection Bracket

For better structure strength and accuracy, flat brackets are used to connect panels with each other on adjacent sides

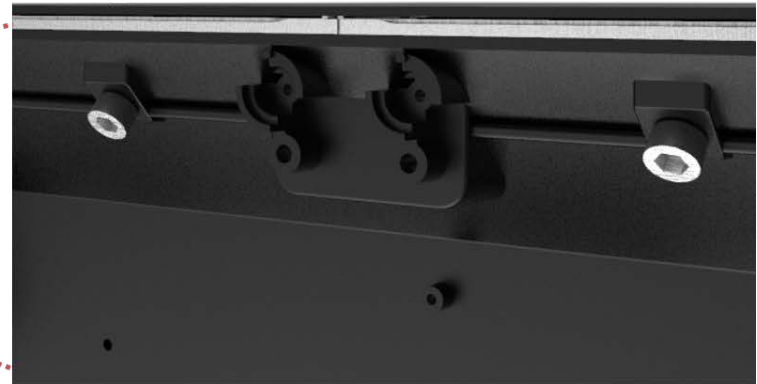
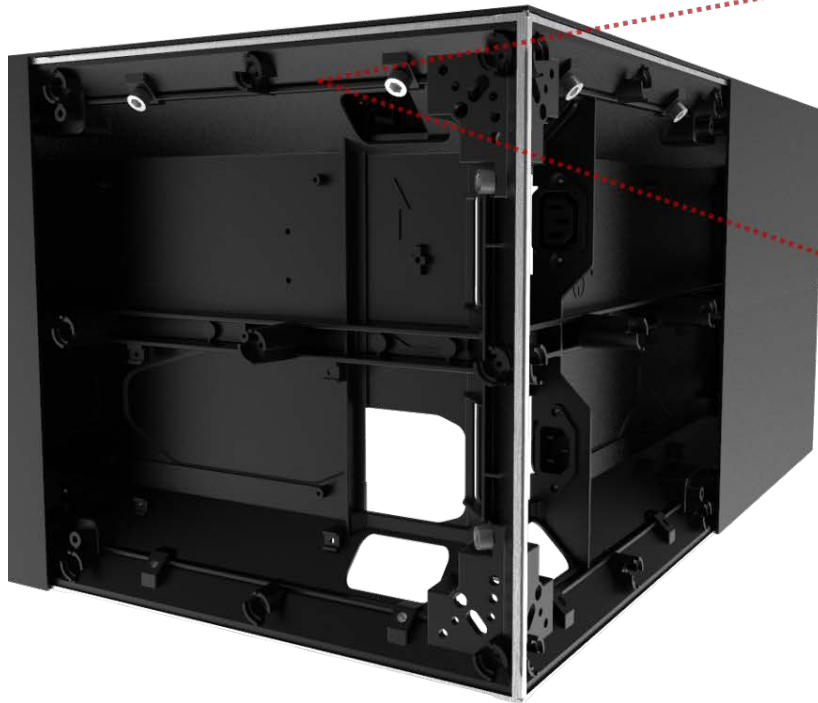


## Smart Module and Snap On Mask

Diagnostics, Traceability, Color Settings, Production Date, Model & Version Data, Calibration Data, Module Current & Voltage, Module Temperature, Operating Hours Optical design can maximize the viewing angle. Top printing ink spraying craft improves the contrast ratio and color conformity. Easy maintenance and non-cohesive.







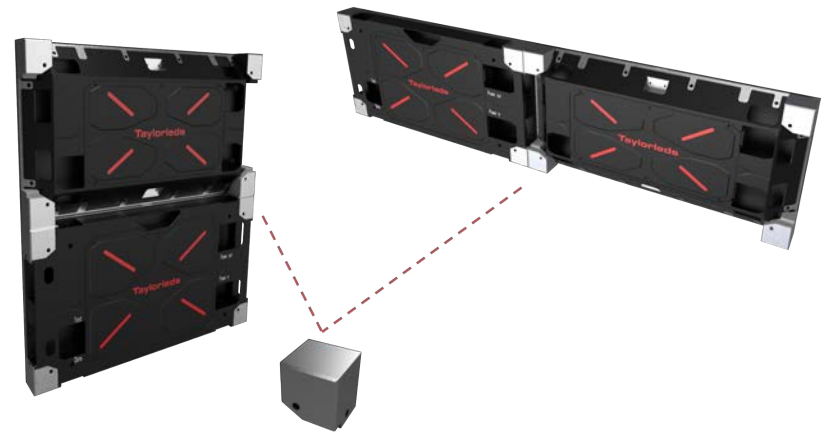
**Easy Assembly**

Easy to access hexagon screws for fast panel-to-panel connections

**90° Corners Horizontal**



**90° Corners Vertical**



**Compatible with standard WB Panels**

Aluminum blocks can be fixed to each corner of the WB CUBE panel. This allows for a transition to standard WB panels when curves lead into flat sections of displays



### Gap

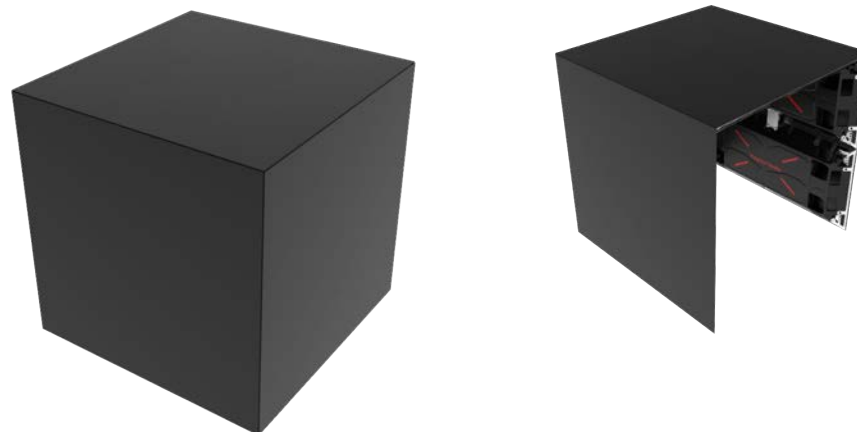
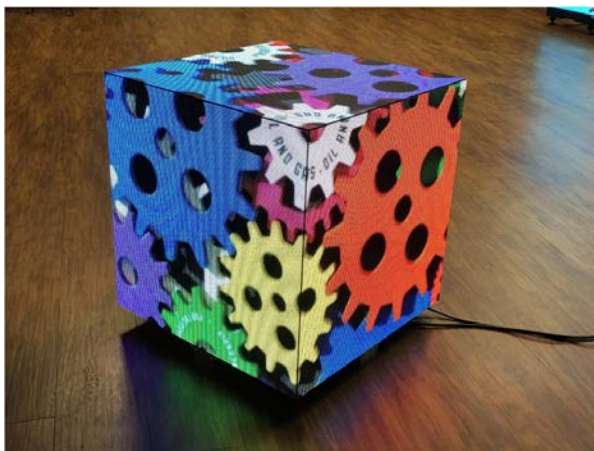
Our slim module design without housing allows for tighter gap control. The space is limited to a single PCB's thickness of 2.8mm (less than 1/8")

### Sizes

The minimum size cube is 576mm(1.89'). Cubes in multiples of this size are also available. A variety of 3D rectangular shapes can be achieved.

### Pixel Pitch

Pixel Pitch: P1.89, P2.4, P3.2, P4.0, Module sizing and visual performance are universal between standard WB and WB CUBE panels.



# Specifications

2022 ATS-PRO WB CUBE SERIES MODULAR INDOOR LED



Specifications	WB1	WB2	WB3	WB4
LED Type	Black SMD1415	Black SMD1415	Black SMD2121	Black SMD2121
Pixel Pitch (mm)	1.89	2.4	3.2	4
Panel Dimensions (W*H*D)/(mm)	576x288x54	576x288x54	576x288x54	576x288x54
Panel Weight (kg)	4.5	4.5	4.5	4.5
Panel Material	Die Casting Aluminum	Die Casting Aluminum	Die Casting Aluminum	Die Casting Aluminum
Module Dimensions (W*H)/(mm)	288x288	288x288	288x288	288x288
Brightness (nits)	800	800	800	800
Refresh Rate (Hz)	3600	3240	3840	3840
Gray scale (bit)	16	14	14	14
Contrast Ratio	5000:1	7000:1	4500:1	4500:1
Color Temperature (K)	6500	6500	6500	6500
Viewing Angle (H/V) (°)	140/120	140/120	150/120	150/120
AC Operating Voltage (V)	100~240	100~240	100~240	100~240
Power Consumption Max./Avg.) (W/m²)	400/150	400/150	400/150	400/150
Storage Temperature (°C)	- 40~ + 60	- 40~ + 60	- 40~ + 60	- 40~ + 60
Operating Temperature (°C)	- 10~ + 40	- 10~ + 40	- 10~ + 40	- 10~ + 40
IP Rating (Front/Rear)	IP40/IP21	IP40/IP21	IP40/IP21	IP40/IP21
LED Lifetime (H)	100000	100000	100000	100000
Module Maintenance	Front /Rear	Front /Rear	Front /Rear	Front /Rear
PSU & Others Maintenance	Front /Rear	Front /Rear	Front /Rear	Front /Rear
Panel Installation Type	Wall	Wall	Wall	Wall
Certification	CE,UL,FCC	CE,UL,FCC	CE,UL,FCC	CE,UL,FCC

Specifications subject to change. Please contact ATS-Pro for updated Specifications

ATS-PRO IS A DIVISION OF ACTIVATE THE SPACE LLC. - TEL: 800-755-3235 WWW.ATS-PRO.COM

